

**DESCRIPTION**

- Chrome plated metal construction

**STANDARDS**

- Designed and manufactured to comply with the requirements of: ASSE 1014

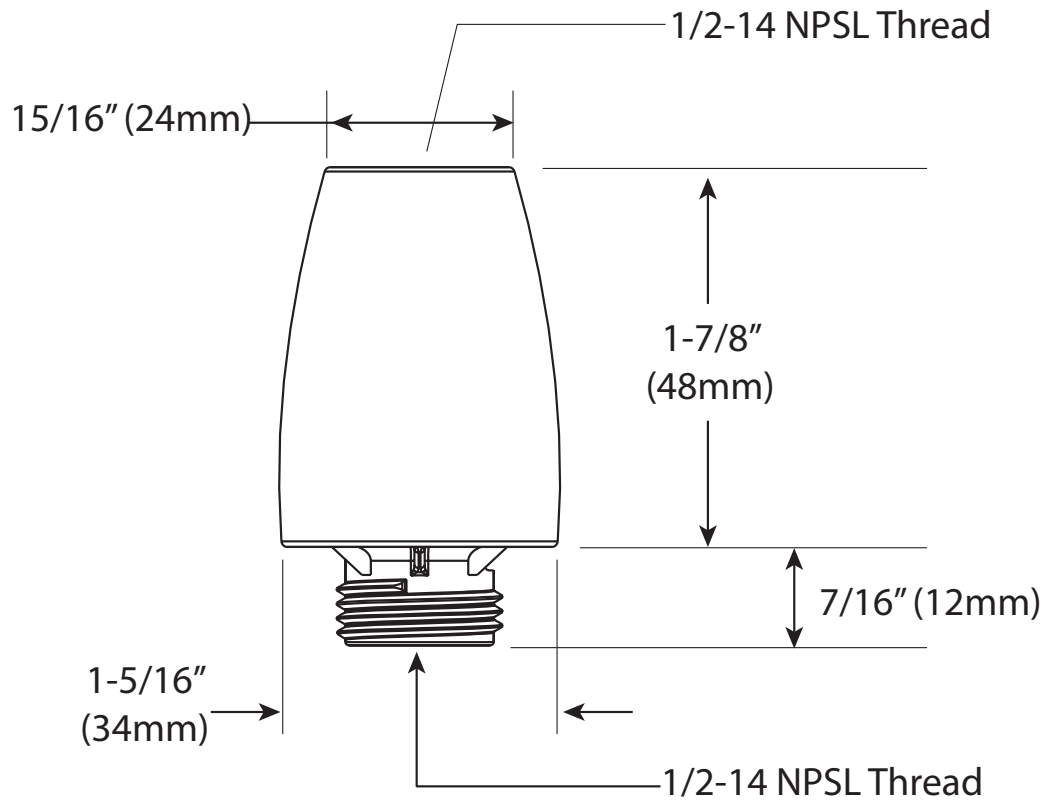
**WARRANTY**

- Warranted for 5 years against material or manufacturing defects



**Vacuum Breaker  
With Gasket**

**Model: 52703**



**CRITICAL DIMENSIONS**

(DO NOT SCALE)